

Forward tipping box rotator 135°

- 135° tipping angle
- Suitable for boxes with or without bottom deck
- Clamps exactly on the box edge
- Box depth adjustable between 850 - 1200 mm
- Box height adjustable between 850 - 1250 mm
- With rapid connection system suitable for FEM2 and FEM3
- Standard with 2 fixed forks
- Complete with hoses and quick connectors
- Standard equipped with sequence valve (2 hose connection)

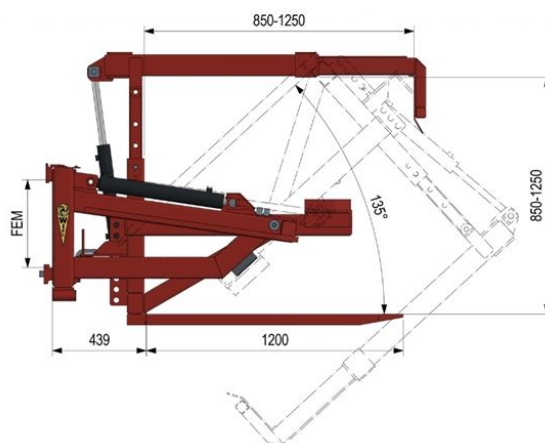
Type	Maximum load	Maximum rotation capacity	Frontal extension length	Center of gravity	Maximum box width	Fork distance (center to center)	Weight	Price
K80-1200	2500 kg	1750 kg	440 mm	560 mm	1200 mm	700 mm	580 kg	€ 7500,-
K80-1400	2500 kg	1750 kg	440 mm	560 mm	1400 mm	700 mm	610 kg	€ 7600,-
K80-1600	2500 kg	1750 kg	440 mm	560 mm	1600 mm	800 mm	640 kg	€ 7700,-
K80-1800	2500 kg	1750 kg	440 mm	560 mm	1800 mm	800 mm	670 kg	€ 7800,-
K80-2000	2500 kg	1750 kg	440 mm	560 mm	2000 mm	1000 mm	700 kg	€ 7900,-

Options

- Attachment to frontloader/telehandler



WIFO K80 voorover kantelaar



WIFO K80 Box tipper