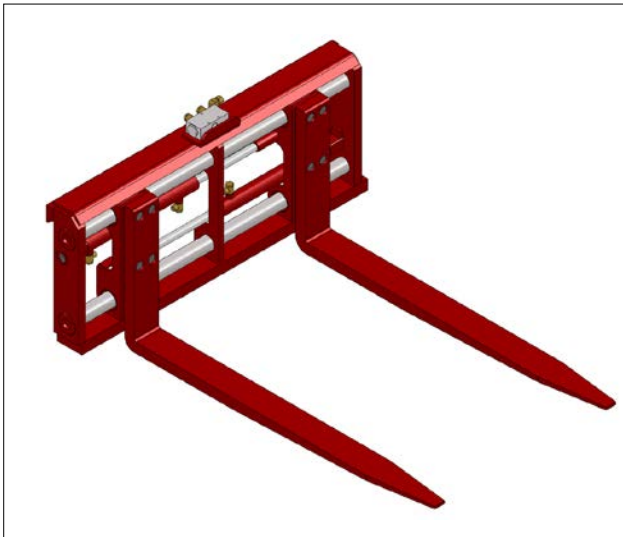


VV-25/VV-35

Fork positioner



VV-25



VV-35





English

Table of contents

1. TO THE USER	2
1.1 INTRODUCTION	2
1.2 SAFETY PRECAUTIONS AND WARNINGS	3
1.2.1 <i>Safety precautions</i>	3
1.2.2 <i>Safety stickers and warning signs</i>	5
1.2.3 <i>Placement of the safety stickers on the machine</i>	5
1.3 PURPOSE OF USE	6
1.4 LIABILITY	7
1.5 WARRANTY	7
2. TECHNICAL DATA	8
2.1 GENERAL TECHNICAL DATA	8
2.2 VV-25	9
2.2.1 <i>Parts list</i>	9
2.3 VV-35	10
2.3.1 <i>Parts list</i>	10
2.3.2 <i>Preparing the VV-25/VV-35 fork adjuster for use</i>	11
2.3 SPARE PARTS	12
3. FAULTS AND MAINTENANCE	13
3.1 PREVENTIVE MAINTENANCE AND LUBRICATION	13

1. To the user

1.1 Introduction

This manual gives information about the commencement of operation, use and maintenance of your newly purchased WIFO fork positioner. Also included in this manual are a number of safety instructions to create a safe working environment.

WIFO-Anema B.V. continuously aims to improve its products. WIFO-Anema B.V. reserves the right to introduce any changes and improvements deemed necessary without prior notice.

Please read the manual thoroughly and observe the safety procedures before putting the unit into operation. Contact your dealer for any further questions or concerns you may have.

We hope you will enjoy working with your WIFO box rotator.



PLEASE NOTE:

Carefully read this manual before you put the machine into operation and act upon all directions that are given. This is to guarantee its safe, trouble-free operation.


Keep this manual in a safe place for future reference!


WIFO-Anema B.V.

Dealer:

1.2 Safety precautions and warnings

Please read this manual before you put the machine into operation for the first time, and observe the safety instructions at all times. The most important instructions are marked with a symbol.

	<p><i>This symbol is used for all important safety instructions throughout this manual. Carefully observe the instructions and be very cautious.</i></p>
---	--

	<p><i>This symbol is used for all important actions that should not be carried out under any circumstances. Carefully observe these prohibitions.</i></p>
---	---

Any person in charge of the commencement of operation, the operation itself or the maintenance of the machine is urged to carefully read and observe the following instructions.

1.2.1 Safety precautions

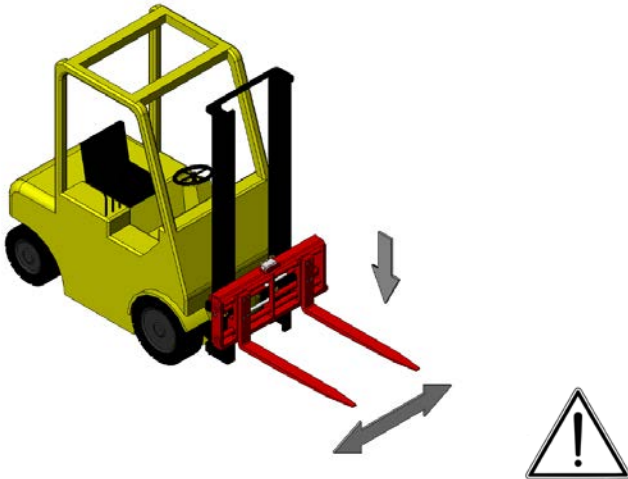
The following safety instructions apply to all types of WIFO fork positioners. No distinction is made with regard to the type of lifting vehicle used.




Do not allow any person to ride on the forks.




Do not allow any person to stand under the fork positioner, and stay out of the working area of the box rotator.



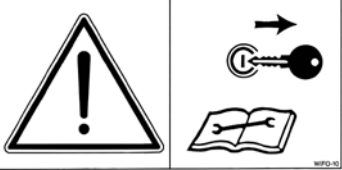
Place the forks as widely as possible for the biggest possible stability of the box or pallet and transport the load with the fork positioner as low as possible.

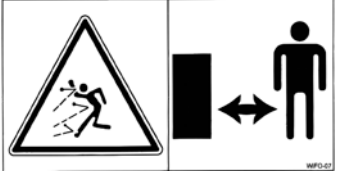
	<p><i>For tilting work, use only durable boxes with flooring or grooves.</i></p>
	<p><i>Distribute the load as evenly as possible over the width of both forks in such a way to prevent loads falling off unexpectedly. Keep the centre of gravity of the load as close as possible to the fork carrier.</i></p>
	<p><i>Ensure that the cylinder control lever cannot be confused with other fork positioner controls in order to prevent unintended operation</i></p>
	<p><i>Control the fork positioner from the driver's seat of the tractor only. Make sure the operator always has a clear view of the work being carried out.</i></p>
	<p><i>Make sure the hydraulic hoses do not get jammed and that the fork positioner is able to move freely.</i></p>
	<p><i>Ensure that the vehicle's tyres are adequately inflated in order to optimise the stability and steering of the combination. Account must also be taken particularly when working on rough ground or on slopes. Use counterweights and/or double tyres if necessary.</i></p>
	<p><i>Park the transport vehicle with the fork positioner in the lowest position. Make sure that unexpected movements are ruled out when the vehicle is not in use. Make sure that the fork positioner cannot tip on its side when it is detached and stored away separately from the forklift truck.</i></p>

1.2.2 Safety stickers and warning signs

	<p><i>A safe working environment also requires personnel to be well-informed about the various safety stickers on the machine. Be aware of the hazards they warn you to look out for.</i></p>
	<p><i>Replace any loose, illegible or missing stickers.</i></p>

Several safety stickers have been put onto the machine. The meaning of the stickers on the machine is as follows:

	<p><u>NB:</u> <i>Please read the instructions from the manual prior to any maintenance to the machine!</i> <i>Turn of the engine and remove the key from the ignition for the time maintenance on the machine is carried out!</i></p>	<p>1</p>
---	--	----------

	<p><u>Danger:</u> <i>Always keep a safe distance from the machine!</i></p>	<p>2</p>
--	--	----------

1.2.3 Placement of the safety stickers on the machine

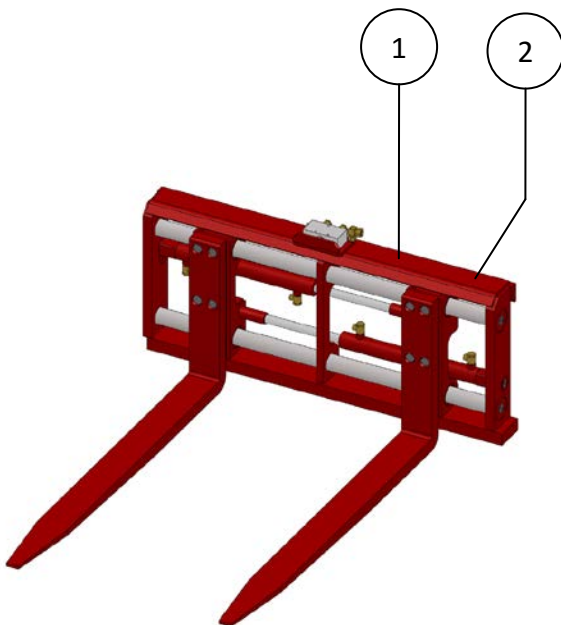


Figure 1.2.1- Position safety stickers for VV-25

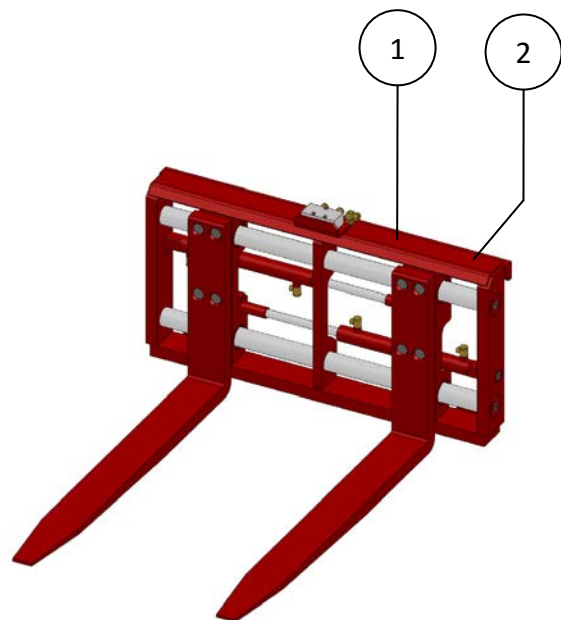


Figure 1.2.2- Position safety stickers for VV-35

1.3 Purpose of use

The WIFO fork adjusters are suitable only for transporting pallets and boxes and shifting them sideways.

The WIFO **VV-25** and **VV-35** fork adjusters are available for attaching to an FEM II or FEM III fork carrier on a forklift truck or lifting mast, provided that the total weight of the load being transported by the fork adjuster does not exceed 2500 kg for the **VV-25** and 3500 kg for the **VV-35**.



ATTENTION:

The capacity of the forklift truck or lifting mast must exceed the total mass of the fork adjuster, box or pallet and load. The forklift truck or lifting mast must be fitted with a double action hydraulic connection on the fork carrier, as a minimum.

Do not use the fork positioner for carrying people under any circumstances!

1.4 Liability

Any person working with or on the machine must have read this manual. The machine is to be used for its intended purpose only. Included in the intended purpose are, among other things:

1. Work must be carried out in accordance with the directions and within the functional restrictions (e.g. maximum hydraulic working pressure) as outlined in the regulations. Use only sound and appropriate tools.
2. Electric/electronic equipment and accessories (e.g. cables) must be treated in accordance with the general accepted policy for using non-waterproof portable electric and electronic equipment, such as:
 - a) Storing and keeping in a clean, dry environment away from rodents and the like; and
 - b) Protecting the equipment against severe, uncushioned shocks and water (precipitation).
3. Use only original or compatible spare parts. Such parts must be assembled as directed (e.g. by observing the recommended tightening moments). Spare parts (as well as lubricants) are considered compatible only if explicitly approved by WIFO or in the event that the customer is able to prove they possess the required properties for the purpose(s) they are used.
4. Use only lubricants that meet the specifications as described in the directions.
5. Always observe the local regulations in terms of accident prevention, safety, traffic and transport.
6. Only trained personnel with knowledge of the possible hazards have permission to work with/on the machine.
7. WIFO-Anema B.V. will assume no liability in any shape or form for losses or damage caused following modifications to the machine, which have not been explicitly approved by WIFO.



Noncompliance with the rules and directions from this manual will be considered as serious negligence, for the consequences of which WIFO-Anema B.V. accepts no liability whatsoever. In such cases, the user will bear the full risk of his actions.

WIFO-Anema B.V. is continuously working on the improvement of its products. For that reason, WIFO-Anema B.V. reserves the right to introduce any changes and improvements deemed necessary without prior notice. However, it does not imply an obligation to make any such changes or improvements to machines bought by customers in the past.

1.5 Warranty

WIFO-Anema B.V. guarantees the soundness of its products in terms of materials used and/or structural defects. However, in any event this warranty is limited to the free-of-charge replacement or repairs of the defect product, or part thereof. WIFO-Anema B.V. assumes no liability for any loss or damage arising from faulty deliveries and/or the breakdown of purchased goods before the warranty period has expired. **The warranty period for this product is twelve months.**

2. Technical data

2.1 General technical data

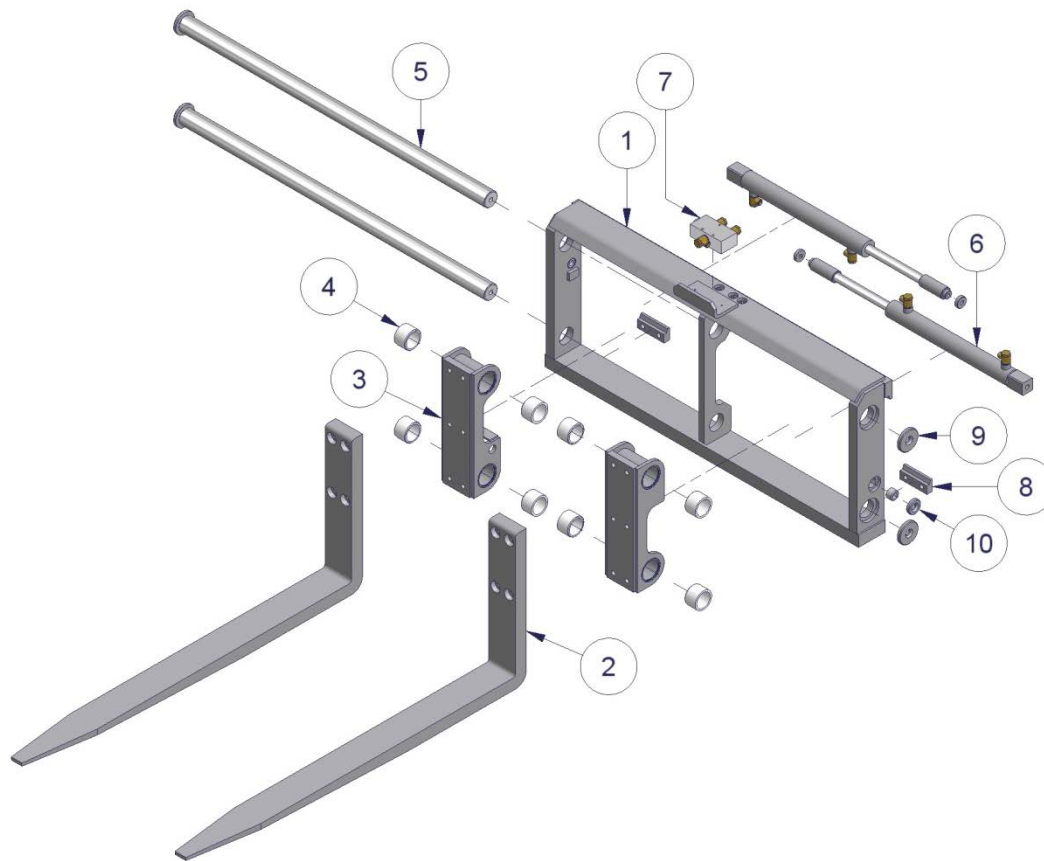
Model	VV-25	VV-35
Max. carrying capacity	2500 kg	3500 kg
Weight	270 kg	340 kg
Transport width	1170 mm	1190 mm
Width forks (C-C) ¹	260-960 mm	260-960 mm
Dimension forks	100x40-L1200 mm	125x45-L1200 mm
Frontal extension length	170 mm	190 mm
Center of gravity	180 mm	185 mm

Table 2.1.1-Variou models of WIFO fork positioners

¹ Both forks are infinitely adjustable in width with a 350 mm turn.

2.2 VV-25

2.2.1 Parts list

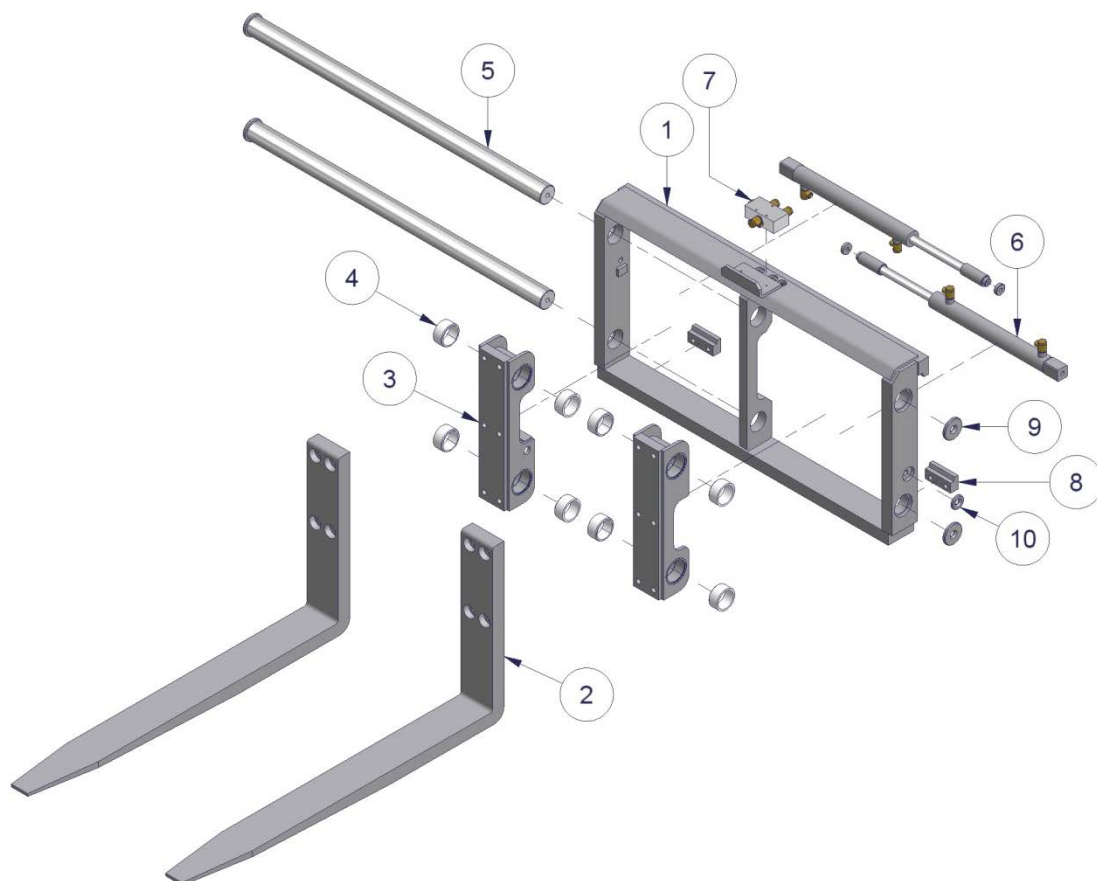


No.	Description
1	Fixed frame
2	Fork 100x40-L1200
3	Bearing section
4	Plastic bearing $\varnothing 62 \times 50.4$ -L40
5	Guide rod
6	Cylinder
7	Volume split valve 24-40L
8	Clamping strip FEM II
9	Locking ring $\varnothing 70 \times 17$ -L8
10	Locking ring $\varnothing 45 \times 17$ -L8

Table 2.2.1-Parts list for VV-25 fork positioner

2.3 VV-35

2.3.1 Parts list



No.	Description
1	Fixed frame
2	Fork 125x45-L1200
3	Bearing section
4	Plastic bearing $\varnothing 72 \times 60,4$ -L33
5	Guide rod
6	Cylinder
7	Volume split valve 24-40L
8	Clamping strip FEM III
9	Locking ring $\varnothing 70 \times 17$ -L8
10	Locking ring $\varnothing 45 \times 17$ -L8

Table 2.3.1- Parts list for VV-35 fork positioner

2.3.2 Preparing the VV-25/VV-35 fork adjuster for use

The following instructions are for attaching a forklift truck or lifting mast to an FEM II or FEM III fork carrier:

1. Remove the **clamping strips (8)** from the fork adjuster.
2. Remove the forks from the forklift truck or forklift mast.
3. Make sure the fork carrier is straight and clean.
4. Locate the fork adjuster on the forklift truck or lifting mast fork carrier.
5. Make sure the locking cam slots into the recess in the centre of the fork carrier. If no recess is available:
 - a) Grind a recess; or
 - b) Grind the locking cam from the fork adjuster and attach a suitable locking cam on the spot of an existing recess in the fork carrier.The aim is to make sure the fork adjuster sits securely in the centre in front of the fork carrier and cannot slide sideways.
6. Attach the **clamping strips (8)** with two M16x60 bolts. Tighten the bolts securely (140Nm).
7. Before connecting the hydraulic hoses to the rapid-action couplings, check them to make sure that they are clean to prevent any dirt from entering the hydraulics of the machine.
8. Connect the fork adjuster hoses to the double-action hydraulic connection on the fork carrier.
9. Next check that the hydraulic hoses can move freely and check that the system is not leaking oil.
10. Operate the hydraulic functions to make sure that the fork adjuster is working properly.


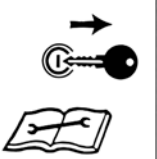
The WIFO fork positioner is now ready to be used.

2.3 Spare parts

Model	Description	Part no.
All	Supply/discharge hoses to volume split valve	HYLR080031WW
VV-25	Plastic bushing $\varnothing 62 \times 50,4$ -L40	419037
VV-35	Plastic bushing $\varnothing 72 \times 60,4$ -L33	419036

Table 2.3.1-Spare parts WIFO fork positioners

3. Faults and maintenance

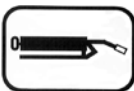
 	<p><i>NB:</i> <i>Please read the instructions from the manual prior to any maintenance to the machine!</i> <i>Turn off the engine and remove the key from the ignition for the time maintenance on the machine is carried out!</i></p>
---	---


Make sure that the fork adjuster is in its lowest position when maintenance or repairs are carried out. Prevent any inadvertent operation of the fork adjuster during maintenance by turning the forklift engine off and taking the key from the ignition. An additional precaution would be to disconnect the hydraulic hoses.


3.1 Preventive maintenance and lubrication

After the First 8 working hours:

- Aansluitingen en wartels van de hydraulische slangen natrekken.
- Bouten natrekken.

	<p><i>This sticker shows the position of a grease nipple on the machine. Lubricate the machine after every 10 working hours. Recommended lubricants include SAE 30 oil and Grade 2 lithium-based grease.</i></p>
---	--

	<p><i>Regularly check the hydraulic system for any leaks. Never try and search for leaks or stop a leak by hand. Liquid under high pressure can easily penetrate skin and clothing, and may cause serious injuries. Replace any damaged hydraulic hoses to prevent them from breaking and any accidents as a result.</i></p>
	<p><i>Regularly check the oil level of the hydraulic system of your forklift truck / tractor.</i></p>

	<p><i>Please contact your dealer for any further concerns you may have. He will be pleased to assist.</i></p>
---	---



EG-VERKLARING VAN OVEREENSTEMMING VOOR MACHINES
EC-DECLARATION OF CONFORMITY FOR MACHINERY
EG-MASCHINENÜBEREINSTIMMUNGSERKLÄRUNG
DÉCLARATION DE CONFORMITÉ "CE" POUR MACHINES

Fabrikant/Manufacturer/Fabrikant/Fabricant:

WIFO-Anema B.V.

Adres/Address/Adresse/Adresse:

Hegebeintumerdyk 37

9172 GP Ferwert

The Netherlands

Verklaart hiermede dat /Herewith declares that/Erklärt hiermit, daß/Déclare ci-après que

Serienummer/Serial number/Serienummer/Numéro de série:

Uitvoering/Model/Ausführung/Modèle:

- Voldoet aan de bepalingen van de Machinerichtlijn (Richtlijn 2006/42/EG, zoals laatstelijk gewijzigd) en de nationale wetgeving ter uitvoering van deze richtlijn;
- Is in conformity with the provisions of the Machine Directive (Directive 2006/43/EC, as amended) and with national implementing legislation;
- Konform ist mit den einschlägigen Bestimmungen der EG-Maschinerichtlinie (EG-Richtlinie 2006/42/EG), inklusive deren Änderungen, sowie mit dem entsprechenden Rechtserlaß zur Umsetzung der Richtlinie in nationales Recht;
- Est conforme aux dispositions de la Directive "Machines" (Directive 2006/42/EC telle que dernièrement modifiée) et la législation nationale adoptée en application de ladite directive.

Ferwert, January 2016

Wytze Anema
(Director)